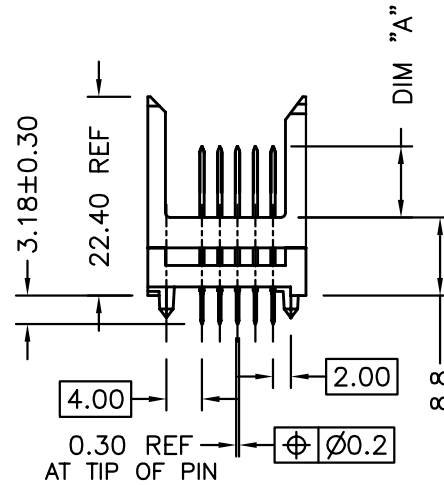
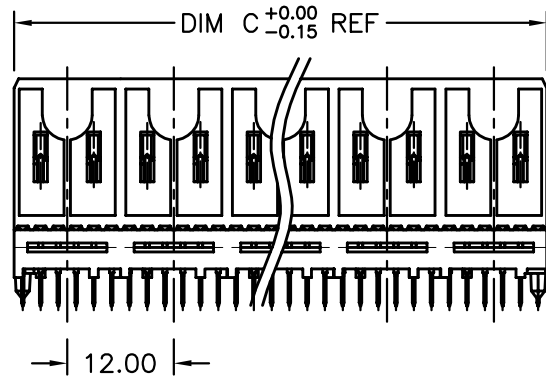
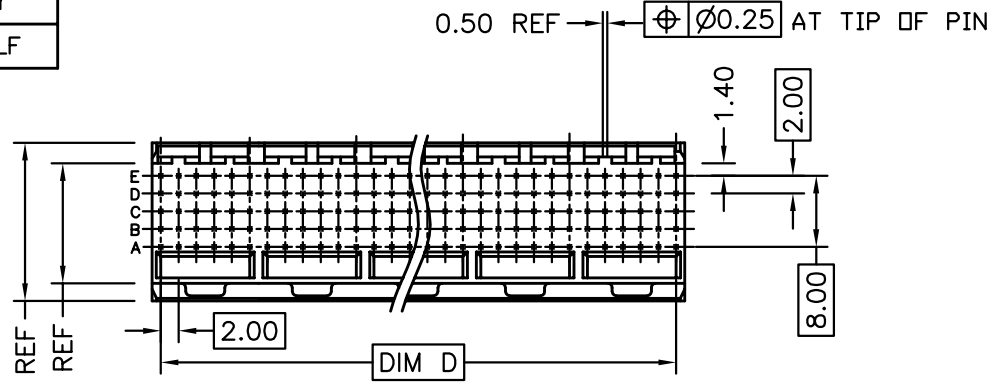
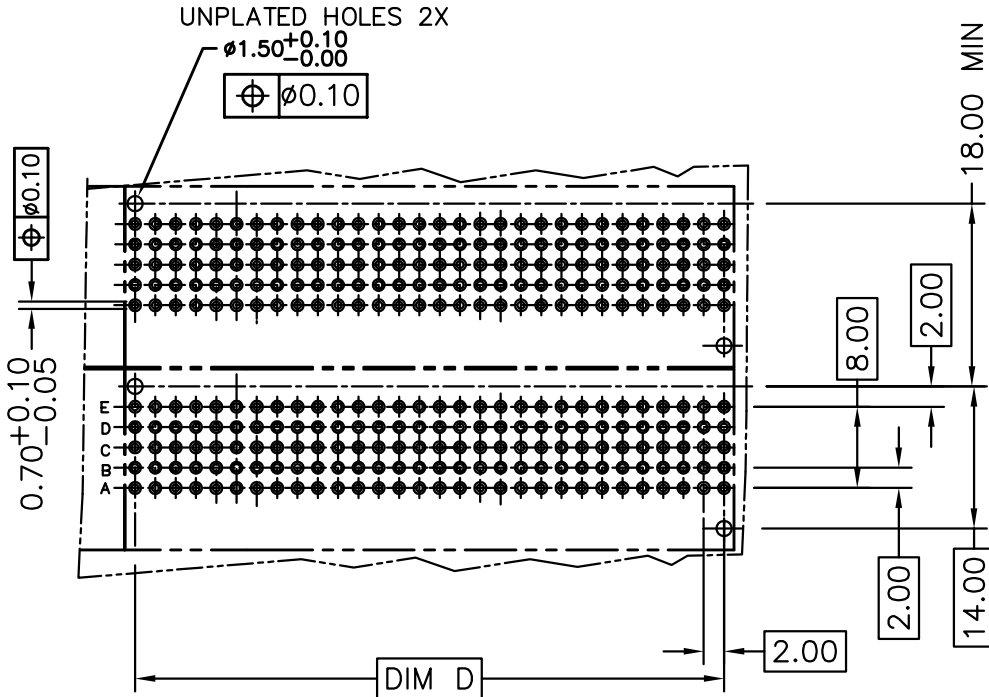


PRODUCT NUMBER
84859-XXXX
84859-XXXXLF



mat'l. code SEE NOTES		surface ASME Y14.5		tolerance ASME Y14.5		projection 		product family METRAL	
ltr	ecn no	dr	date	tolerances unless otherwise specified		MM		title	
D	V21617	CGD	10/10/02	angles	.X ±.3	MM		METRAL SIGNAL HEADER	
E	V03-0564	TAB	5/20/03	linear	.XX ±.13	scale 1:1		5 ROW STB WITH SPACER	
F	V03-0816	TAB	6/18/03	0° ±2'	.XXX ±.051	FCI		dwg no	
G	V03-1120	LP	10/16/03	dr	M. FETROW 11/12/98	sheet 1 of 3		size	
H	V05-0892	JRV	9/13/05	engr	D. McCLUNE 11/12/98	84859		A4	
J	V06-0609	DCH	2006-06-22	chr	D. McCLUNE 11/12/98	type		CUSTOMER Drawing	
sheet index		revision		J	J	J			
		sheet		1	2	3			

PRODUCT NUMBER
84859-XXXX
84859-XXXXLF



RECOMMENDED HOLE PATTERN  
COMPONENT SIDE  
SEE PRINT 58531 FOR  
ADDITIONAL PCB INFORMATION

NOTES:

- ① BODY MATERIAL: LIQUID CRYSTAL POLYMER, 30% GLASS. FLAME RETARDANT ACC. UL 94-V0
- ② PIN MATERIAL: PHOSPHOR BRONZE.
3. PLATING SOLDERTAILS: 2-8  $\mu$ m SnPb 85-97  
84859-XXXX IS SnPb  
84859-XXXXLF IS Sn ( LEAD FREE )
4. PRODUCT MARKING: PART NUMBER & BATCH I.D.
5. THE PRODUCTS WHERE THE PART NUMBER ENDS IN 'LF' MEET THE EUROPEAN DIRECTIVES AND OTHER COUNTRY REGULATIONS AS DESCRIBED IN GS-22-008.  
ALL PRODUCTS WILL WITHSTAND EXPOSURE TO 260°C FOR 60 SECONDS IN A CONVECTION, INFRA-RED OR VAPOR PHASE REFLOW OVEN.
- 6 FOR LEAD FREE PART NUMBERS, ADD 'LF' SUFFIX.  
EXAMPLE: 84859-X001LF

PLATING IN CONTACT AREA		
PLATING CODE	THICKNESS	UNDERPLATING
-1YYY	0.8 $\mu$ m Au	1.3 $\mu$ m Ni MIN.
-9YYY	0.8 $\mu$ m GXT	1.3 $\mu$ m Ni MIN.
-1YYYYLF	0.8 $\mu$ m Au	1.3 $\mu$ m Ni MIN.
-9YYYYLF	0.8 $\mu$ m GXT	1.3 $\mu$ m Ni MIN.

mat'l. code SEE NOTES		surface ASME Y14.5	tolerance ASME Y14.5	projection 	product family METRAL
ltr	ecn no	dr	date	tolerances unless otherwise specified	title
j				angles .X $\pm$ 3	METRAL SIGNAL HEADER 5 ROW STB WITH SPACER
				0' $\pm$ 2'	
				dr	M. FETROW 11/12/98
				engr	D. McCLUNE 11/12/98
				chr	D. McCLUNE 11/12/98
				app	D. McCLUNE 11/12/98
sheet index	revision sheet				dwg no 84859
					sheet 2 of - size A4
					type CUSTOMER Drawing

PRODUCT NO	DIM "C"	DIM "D"	ROW	1	2	3	4	5	6	7	8	9	10	11	12	13	14	15	16	17	18	19	20	21	22	23	24	25	26	27	28	29	30
84859-X001	59.95	58.00	E	01	01	01	01	01	01	01	01	01	01	01	01	01	01	01	01	01	01	01	01	01	01	01	01	01	01	01	01	01	01
			D	02	02	02	02	02	02	02	02	02	02	02	02	02	02	02	02	02	02	02	02	02	02	02	02	02	02	02	02	02	02
C			03	03	03	03	03	03	03	03	03	03	03	03	03	03	03	03	03	03	03	03	03	03	03	03	03	03	03	03	03	03	
B			04	04	04	04	04	04	04	04	04	04	04	04	04	04	04	04	04	04	04	04	04	04	04	04	04	04	04	04	04	04	
A			05	05	05	05	05	05	05	05	05	05	05	05	05	05	05	05	05	05	05	05	05	05	05	05	05	05	05	05	05	05	

PRODUCT NO	DIM "C"	DIM "D"	ROW	1	2	3	4	5	6	7	8	9	10	11	12	13	14	15	16	17	18
84859-X002	35.95	34.00	E	05	05	05	05	05	05	05	05	05	05	05	05	05	05	05	05	05	05
			D	05	05	05	05	05	05	05	05	05	05	05	05	05	05	05	05	05	05
C			05	05	05	05	05	05	05	05	05	05	05	05	05	05	05	05	05	05	
B			05	05	05	05	05	05	05	05	05	05	05	05	05	05	05	05	05	05	
A			05	05	05	05	05	05	05	05	05	05	05	05	05	05	05	05	05	05	

CODE	DIM "A"
01	5.00
02	5.75
03	6.50
04	7.25
05	8.00

mat'l. code SEE NOTES		surface ASME Y14.5		tolerance ASME Y14.5		projection 		product family METRAL	
ltr	ecn no	dr	date	tolerances unless otherwise specified		title METRAL SIGNAL HEADER 5 ROW STB WITH SPACER		dwg no 84859	
J				angles	.X ±.3	MM		sheet 3 of - size A4	
				0° ±2'	.XX ±.13	scale 1:1		type CUSTOMER Drawing	
				dr	M. FETROW 11/12/98				
				engr	D. McCLUNE 11/12/98				
				chr	D. McCLUNE 11/12/98				
				appd	D. McCLUNE 11/12/98				
sheet index	revision sheet								